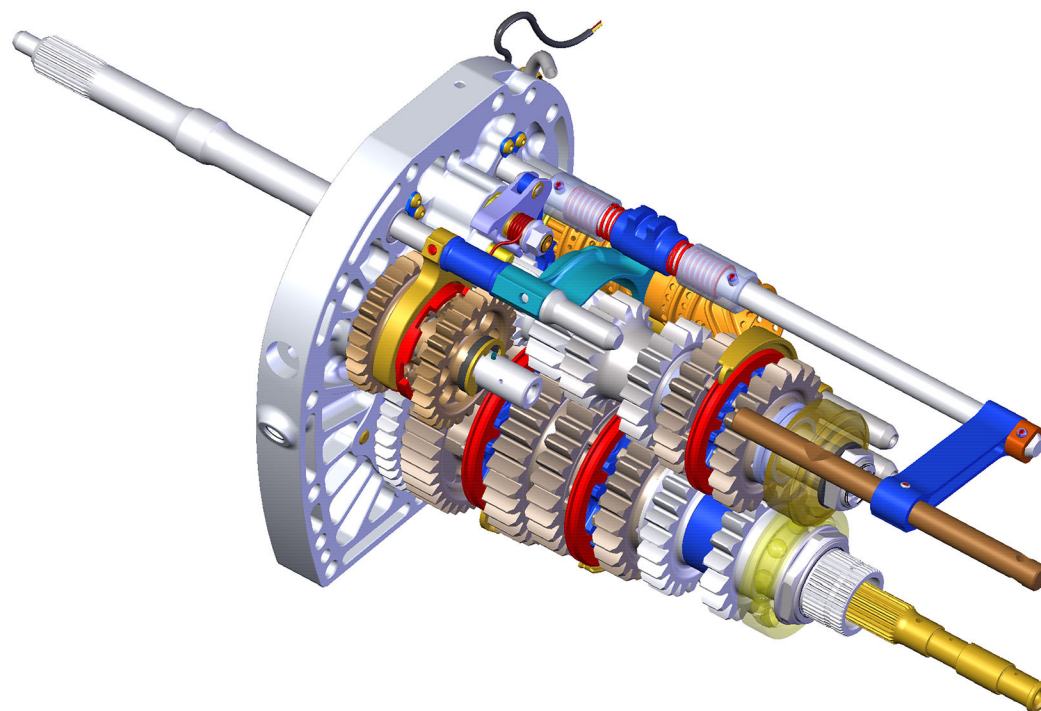




ASSEMBLY MANUAL
SUBARU R4 SEQUENTIAL KIT



PREROVSKA 561
75201 KOJETIN
CZECH REPUBLIC

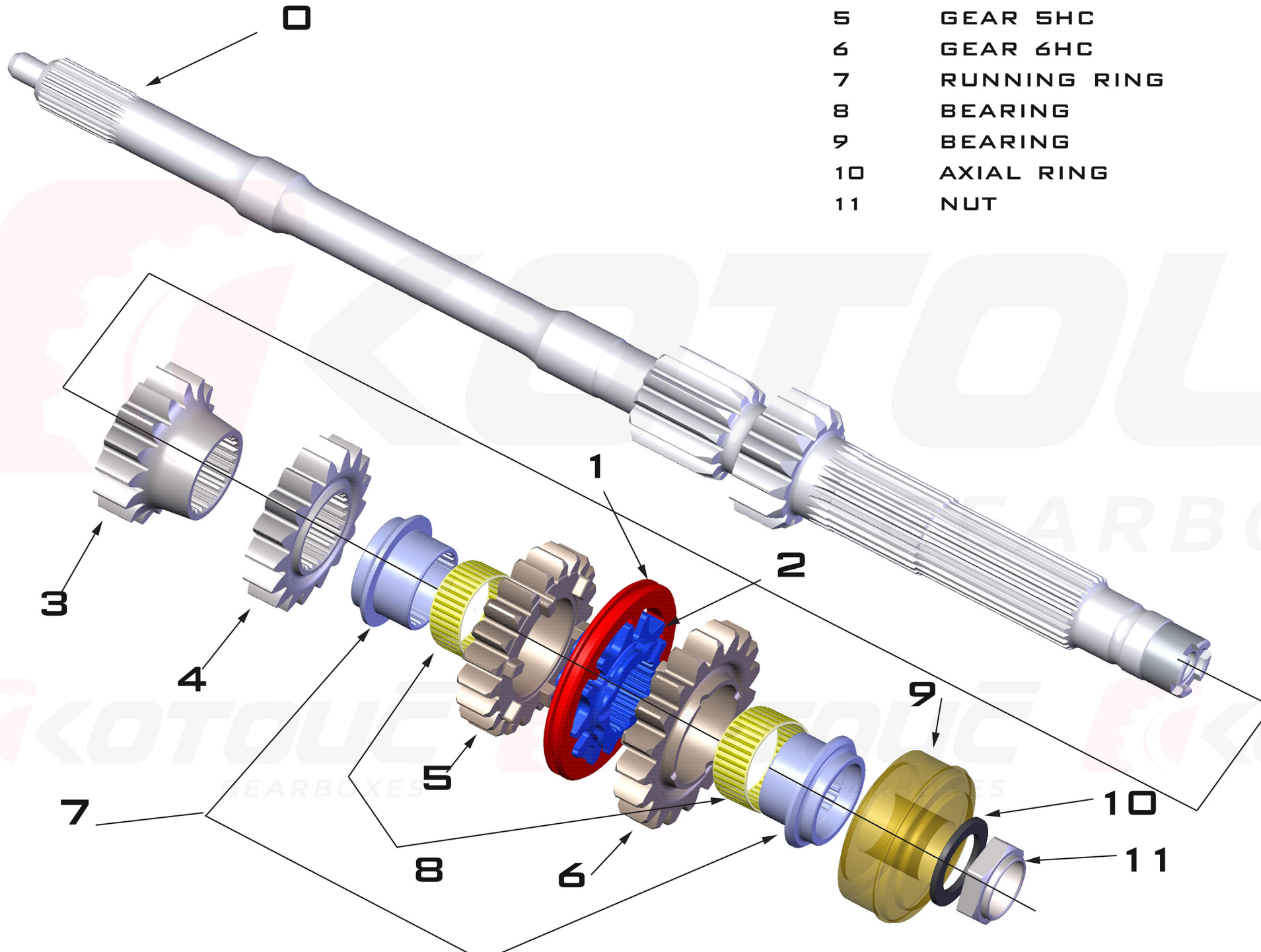
INFO@KOTOUCGEARBOXES.COM
+420 725 790 769

KOTOUCGEARBOXES.COM

SUBARU R4 SEQUENTIAL KIT



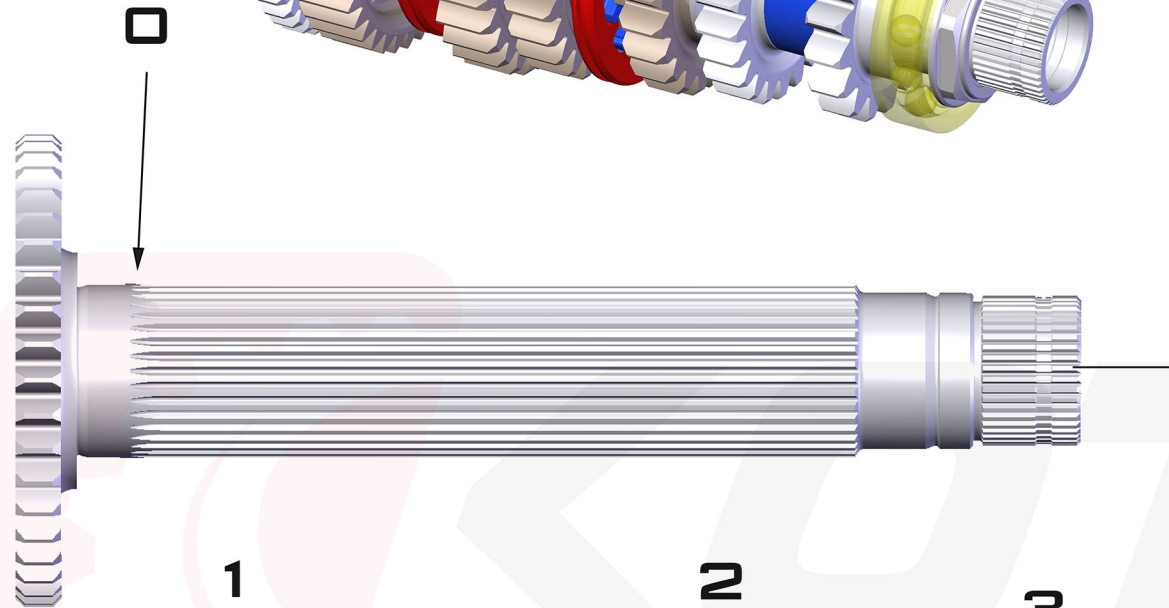
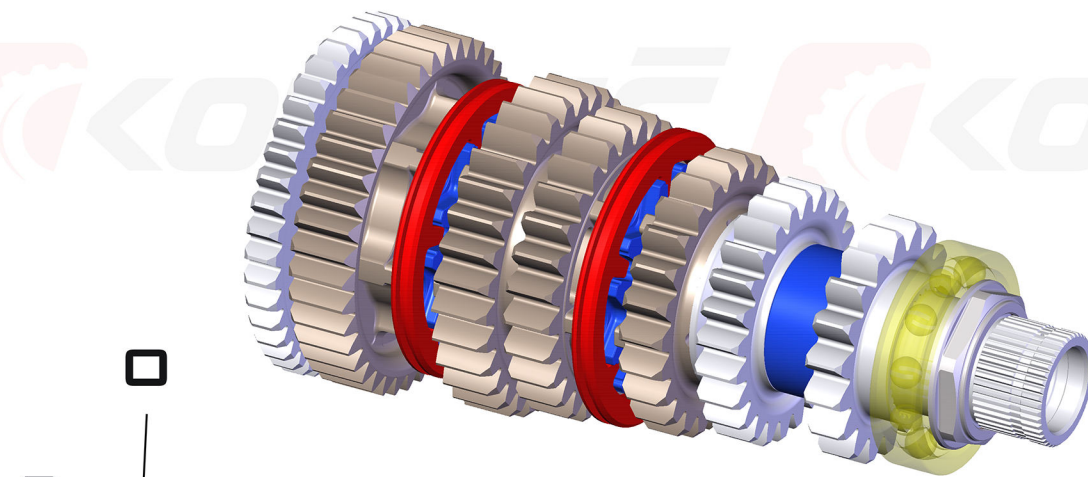
0	INPUT SHAFT	MN-01-001-P4
1	DOGRING 5/6	MN-01-018
2	HUB 5/6	MN-01-016
3	GEAR 3HC	MN-01-003-340-1828-P4
4	GEAR 4HC	MN-01-004-310-2328-P4
5	GEAR 5HC	MN-01-005-380-2121-P4
6	GEAR 6HC	MN-01-006-340-2521-P2
7	RUNNING RING	MN-01-021
8	BEARING	K40x47x18
9	BEARING	806329010
10	AXIAL RING	803528030
11	NUT	802628030



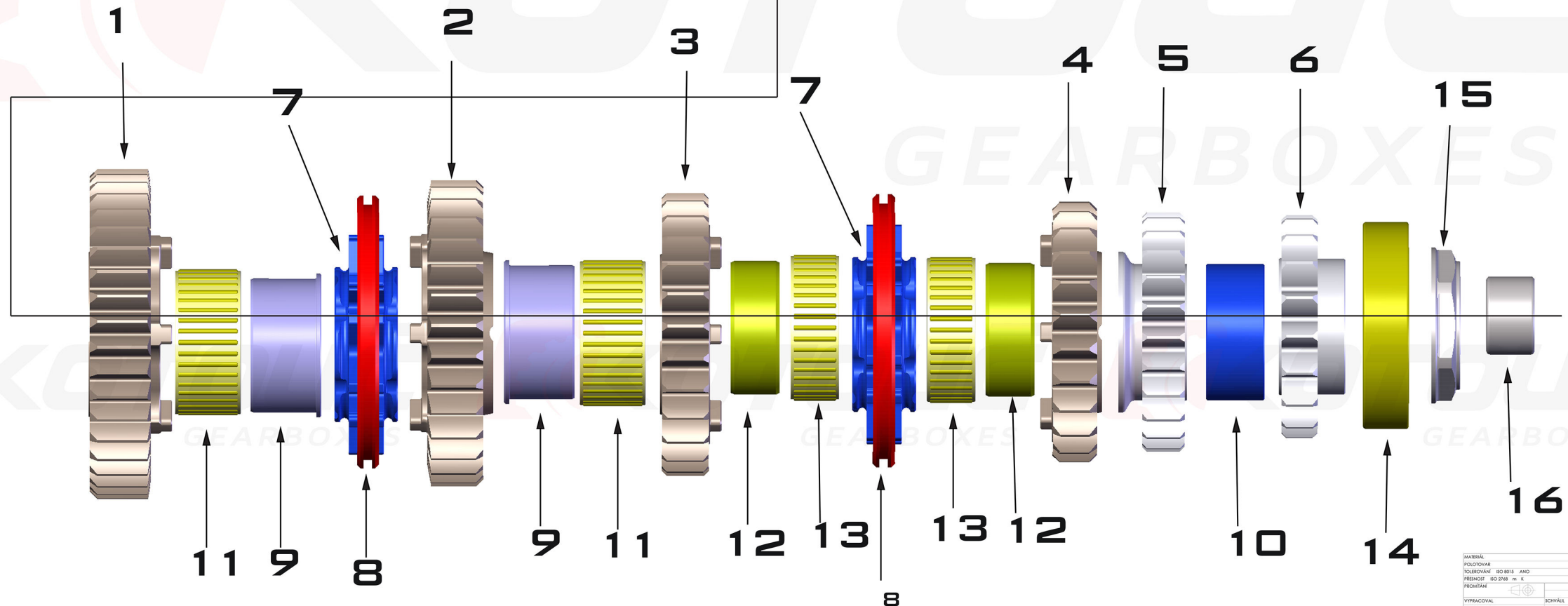
RATIO P4

MATERIÁL	POLEHOVÁNÍ	ISO 8015	ANO	INDEX	NAZEV	DATA	PROJEKT	VERZE	1:1
TOLEROVÁNÍ	ISO 2768	m	K						
PROJEKTOVATEL									
VYPRACOVAVEL	SOBRÁL								
OVĚŘOVAVEL	DATA	14.7.2015							
	NÁZEV								
	ČÍSLO VÝKRESU								

SUBARU R4 SEQUENTIAL KIT



0	OUTPUT SHAFT	MN-01-002
1	GEAR 1HN	MN-01-007-310-3813-P4
2	GEAR 2HN	MN-01-008-325-3316-P4
3	GEAR 3HN	MN-01-009-340-2818-P4
4	GEAR 4HN	MN-01-010-310-2823-P4
5	GEAR 5HN	MN-01-011-380-2121-P4
6	GEAR 6HN	MN-01-012-340-2125-P2
7	HUB 1/2, 3/4	MN-01-015
8	DOGRING 1/2, 3/4	MN-01-017
9	RUNNING RING 1/2	MN-01-020
10	SPACER	MN-01-022
11	BEARING	K55x60x27
12	RUNNING RING 3/4	IR50x55x20
13	BEARING	K50x55x20
14	BEARING	806245020
15	NUT	802645010
16	BEARING	HK2520

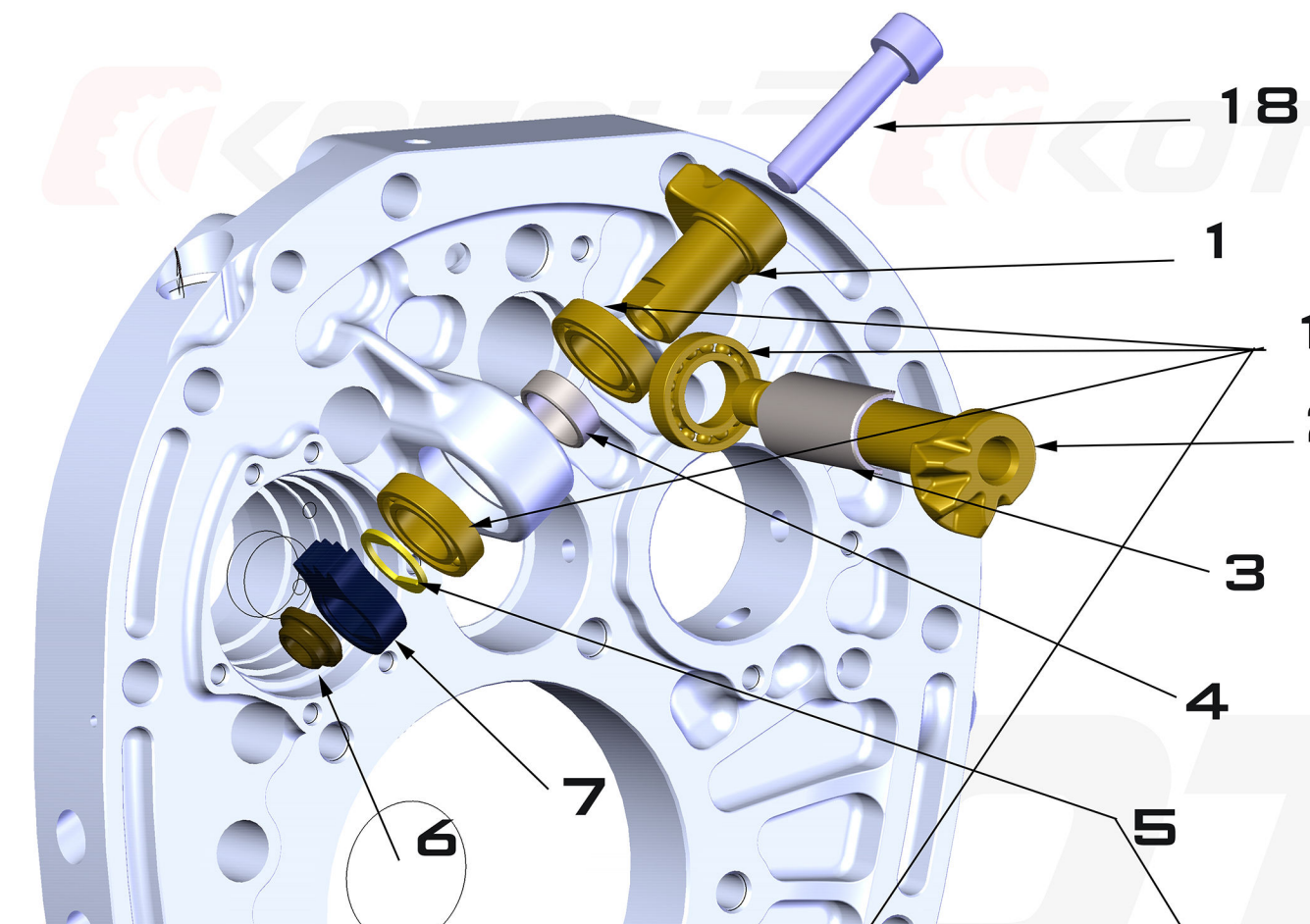


RATIO P4

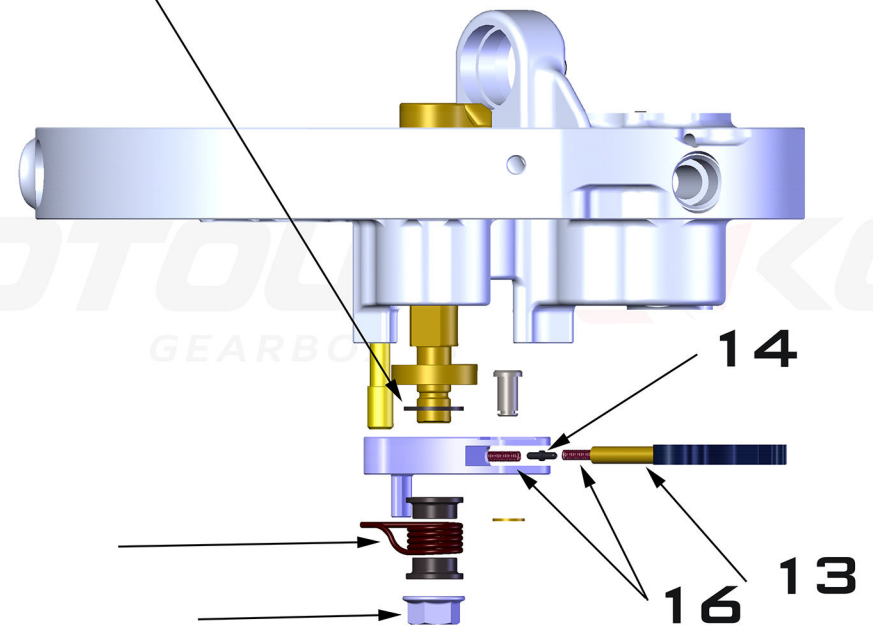
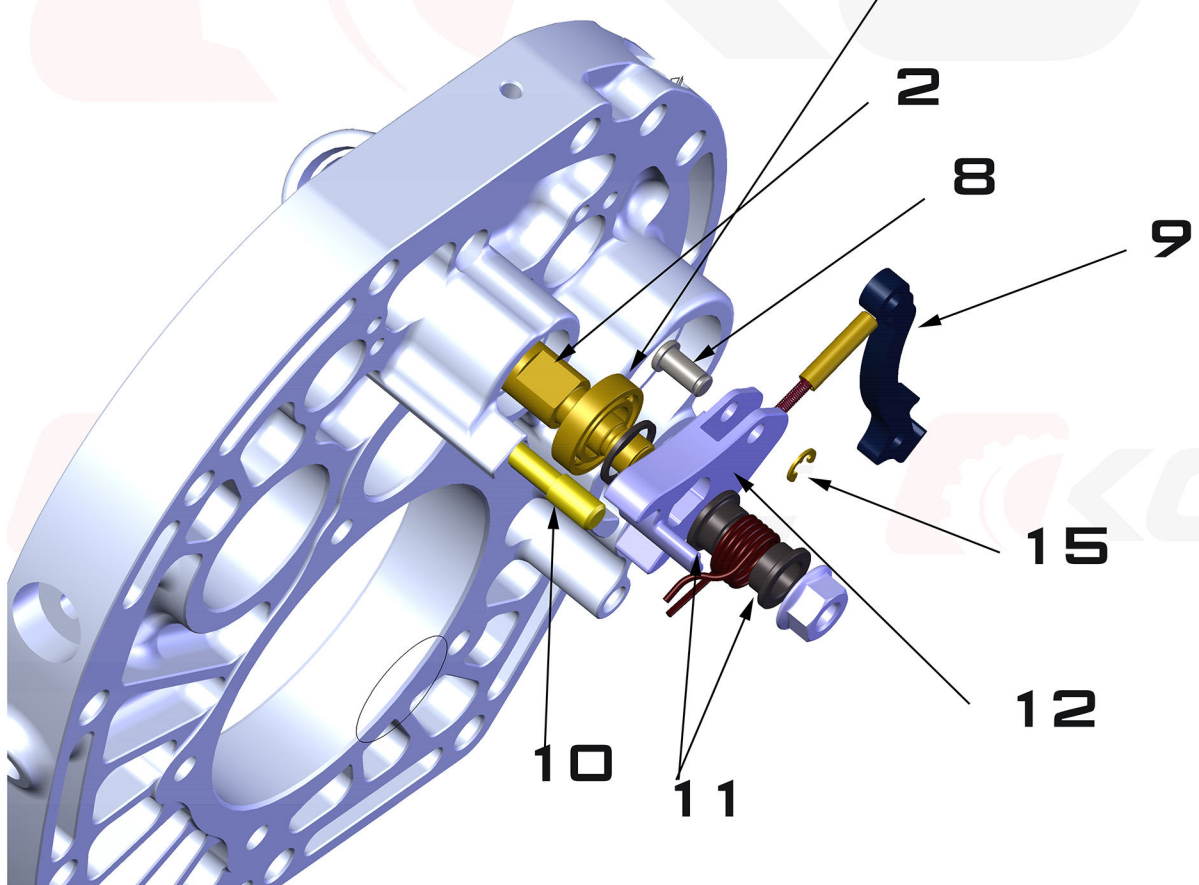
MATERIAL	PROJEKOVANÉ	INDEX	INŽENÉR	DATA	PROJEKT
POLEHOVANÉ	ISO 8015	ANOT.			
PRENOSIT	ISO 2168	m	€		
PROJEKOVANÉ					
VYPRACOVANÉ	SCHWABL	HMOCINOST	ŠEST.	1:1	
DOVEDENOVANÉ	DATA	14.7.2015	ŠL.V.	KUSOVNĀ	
NÁZEV					
ČÍSLO VÝKRESU					

KOTOLIC
GEARBOXES

SUBARU R4 SEQUENTIAL KIT



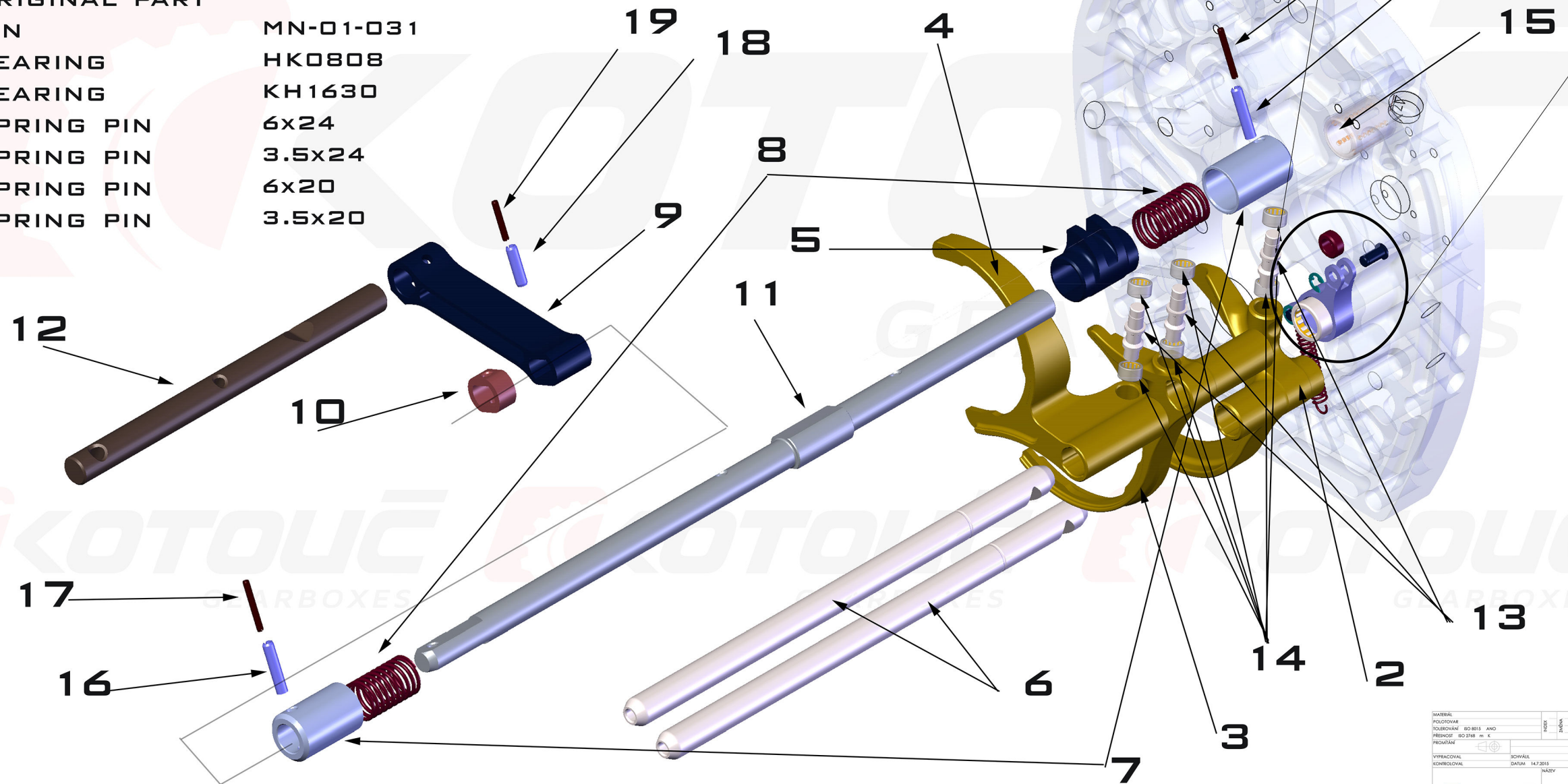
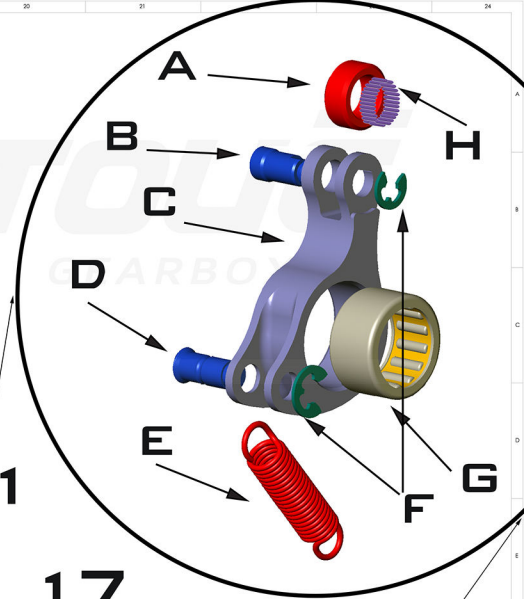
1	SATELITE A	MN-01-036
2	SATELITE B	MN-01-035
3	DISTANCE RING A	MN-01-054
4	DISTANCE RING B	MN-01-053
5	SPACER	MN-01-052
6	NUT	MN-01-041
7	SHIFT RING	MN-01-037
8	PIN	MN-01-043
9	SHIFT RATCHET	MN-01-040
10	PIN	MN-01-051
11	SPACER	MN-01-042
12	SHIFT AUTOMAT	MN-01-039
13	PLUNGER	MN-01-044
14	CONNECTOR	MN-01-049
15	SNAP RING	CSN 02 2929
16	SPRING	30216
17	BEARING	61903
18	SCREW	M10X1.25X45



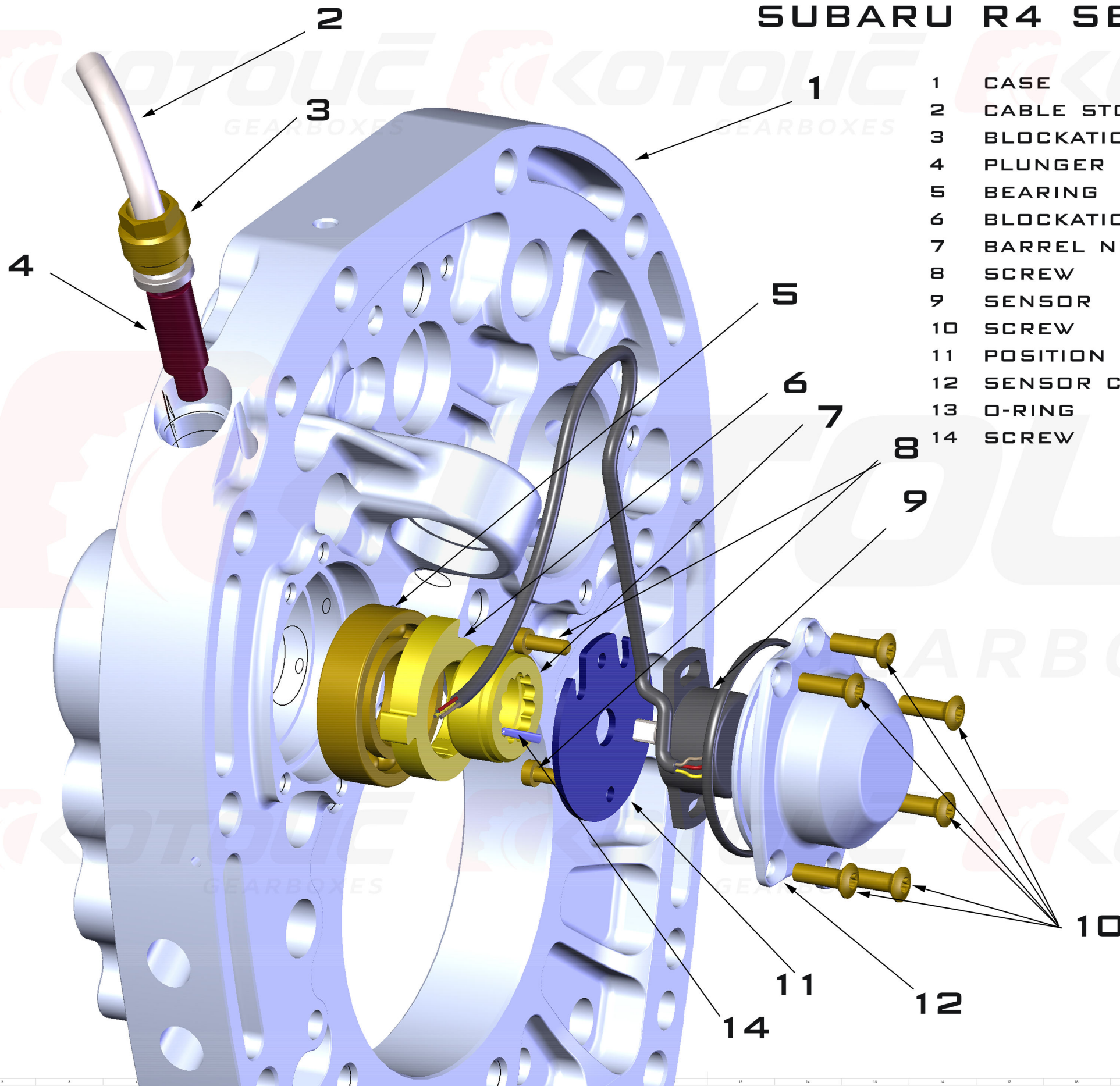
SUBARU R4 SEQUENTIAL KIT

- 1 CASE MN-01-034
- 2 FORK 1/2 MN-01-024
- 3 FORK 3/4 MN-01-025
- 4 FORK 5/6 MN-01-026
- 5 CENTER MN-01-055
- 6 SHAFT MN-01-028
- 7 COVER MN-01-056
- 8 SPRING 30514
- 9 CROSS MN-01-033
- 10 LOCK MN-01-057
- 11 SHAFT MN-01-038
- 12 ORIGINAL PART
- 13 PIN MN-01-031
- 14 BEARING HK0808
- 15 BEARING KH1630
- 16 SPRING PIN 6x24
- 17 SPRING PIN 3.5x24
- 18 SPRING PIN 6x20
- 19 SPRING PIN 3.5x20

- A ROLLER MN-01-046
- B PIN MN-01-047
- C STABILIZER MN-01-045
- D PIN MN-01-048
- E SPRING 31400
- F SNAP RING CSN 02 2929
- G BEARING HK1612
- H PIN ROLLER 1.5x5.8



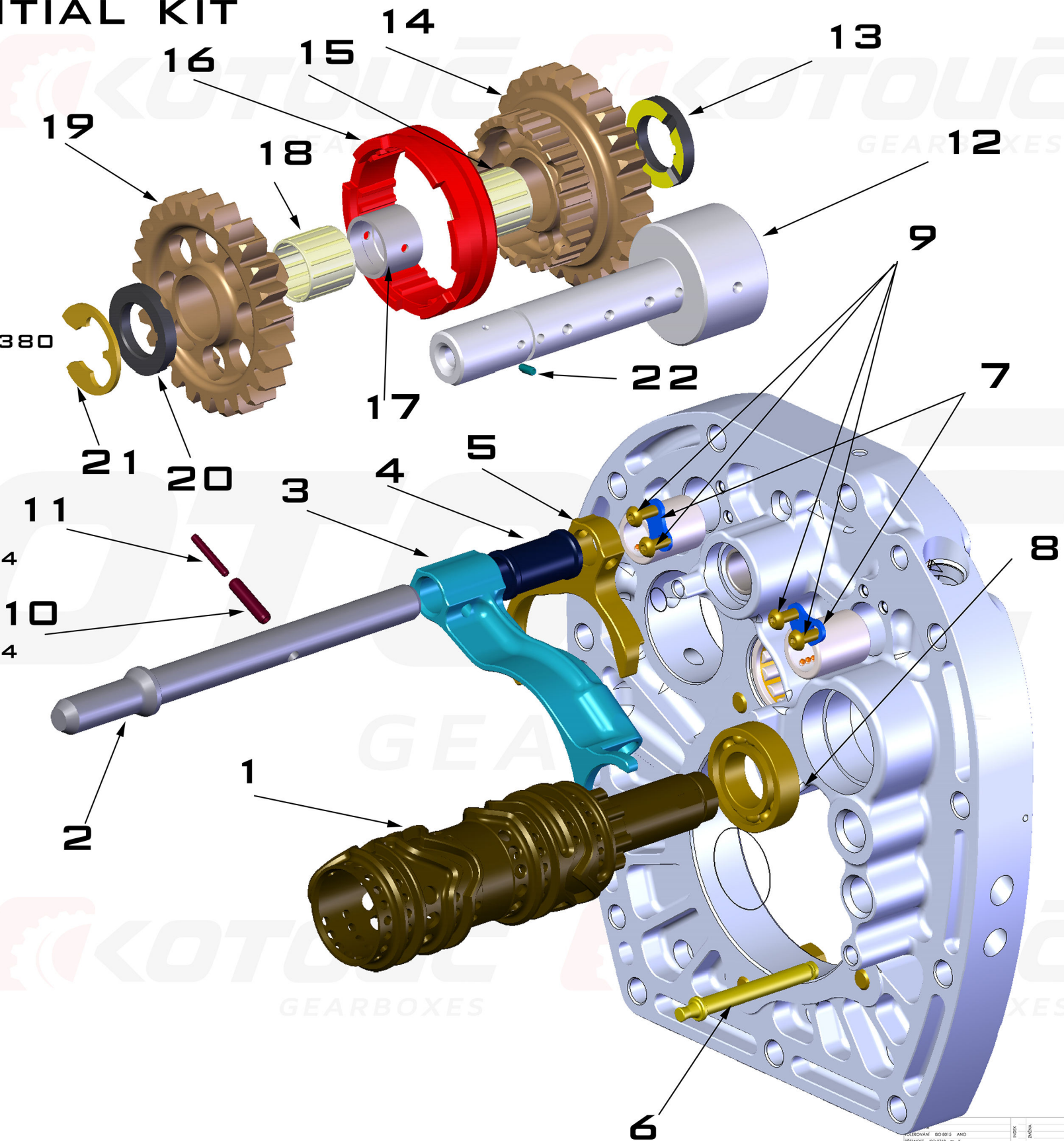
SUBARU R4 SEQUENTIAL KIT



- | | | |
|----|------------------|---------------|
| 1 | CASE | MN-01-034 |
| 2 | CABLE STOP | MN-01-066 |
| 3 | BLOCKATION SCREW | MN-01-061 |
| 4 | PLUNGER | MN-01-059 |
| 5 | BEARING | 6005 |
| 6 | BLOCKATION | MN-01-058-P1 |
| 7 | BARREL NUT | MN-01-062 |
| 8 | SCREW | M4x14 DIN7984 |
| 9 | SENSOR | SP28 |
| 10 | SCREW | M5x16 |
| 11 | POSITION PLATE | MN-01-065 |
| 12 | SENSOR COVER | MN-01-064 |
| 13 | O-RING | 54x2.5 |
| 14 | SCREW | M4x16 DIN916 |

SUBARU R4 SEQUENTIAL KIT

- | | | |
|----|------------------|---------------|
| 1 | BARREL | MN-01-023 |
| 2 | SHAFT REV | MN-01-029 |
| 3 | SLIDER REV | MN-01-030 |
| 4 | DISTANCE RING | MN-01-032 |
| 5 | FORK REV | MN-01-027 |
| 6 | PIN | MN-01-050 |
| 7 | HOLDER | MN-01-063 |
| 8 | BEARING | 6005 |
| 9 | SCREW | M5x12 ISO7380 |
| 10 | SPRING PIN | 6x24 |
| 11 | SPRING PIN | 3.5x24 |
| 12 | ORIGINAL PART | |
| 13 | ORIGINAL PART | |
| 14 | GEAR REV | MN-01-014 |
| 15 | ORIGINAL PART | |
| 16 | DOGRING REV 66MM | MN-01-019-P4 |
| 17 | ORIGINAL PART | |
| 18 | ORIGINAL PART | |
| 19 | GEAR REV IDLER | MN-01-013-P4 |
| 20 | ORIGINAL PART | |
| 21 | ORIGINAL PART | |
| 22 | ORIGINAL PART | |



RATIO P4 - 66MM

SKUPINOVÁNÍ	ISO 8015	ANO	PROJEKT	ISO 2148	m	€	INDEX	NAZEV	DATA	POPS
VYPRACOVANÉ	SKUPINOVANÉ	SKUPINOVANÉ	SKUPINOVANÉ	SKUPINOVANÉ	SKUPINOVANÉ	SKUPINOVANÉ	SKUPINOVANÉ	SKUPINOVANÉ	SKUPINOVANÉ	SKUPINOVANÉ
<p>1:1</p> <p>KOTOUČ GEARBOXES</p>										